

TSC bourgeois

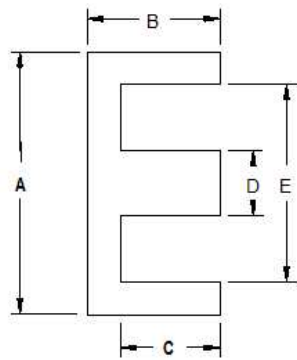


Figure 1

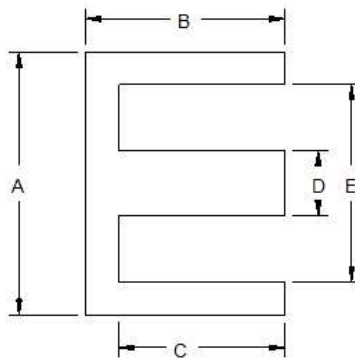


Figure 2

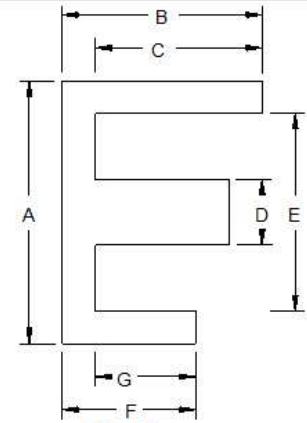


Figure 3

TSC-ARNOLD TECHNOLOGIES E & LE LAMINATION DIMENSIONS

	PART #	FIGURE	A	B	C	D	E	F	G	H
			in	in	in	in	in	in	in	in
	E250	1	0.840	0.445	0.320	0.250	0.590			
	E23	1	1.000	0.625	0.500	0.250	0.750			
	LE32	2	0.600	0.425	0.350	0.150	0.450			
16ELM	LE189	2	0.625	0.625	0.531	0.188	0.438			
186EL	EL186	1	0.750	0.438	0.344	0.188	0.563			
	LE186	2	0.780	1.078	0.883	0.195	0.585			
	LE187	3	0.750	0.625	0.531	0.188	0.563	0.438	0.344	0.438
2425EL	LE25	2	1.000	0.750	0.625	0.250	0.750			
	LE10	3	1.875	1.250	0.938	0.625	1.250	0.563	0.250	0.594
	LE625	1	2.500	1.563	1.250	0.625	1.875			

TSC-ARNOLD TECHNOLOGIES EE LAMINATION SQUARE STACK EFFECTIVE CORE SET PARAMETERS

NS	PART #	PATH LENGTH	CORE AREA	CORE VOLUME	WINDOW AREA	LN (80% Nickel)			LN (49% Nickel)			Silicon		
						0.006	0.014	0.006	0.014	0.014	0.0185	0.025		
						Lbs/Mprs	Lbs/Mprs	Lbs/Mprs	Lbs/Mprs	Lbs/Mprs	Lbs/Mprs	Lbs/Mprs		
	E250	5.112	0.403	2.061	0.054	0.502	1.172	0.474	1.106	---	---	---		
	E23	6.990	0.403	1.536	0.125	---	1.668	---	1.570	---	---	---		
	LE32	2.920	0.145	0.452	0.041	0.284	0.663	0.625	0.268	---	---	---		
16ELM	LE189	3.592	0.174	0.624	0.219	0.496	1.158	0.468	1.092	---	---	---		
186EL	EL186	3.180	0.227	0.721	0.047	0.367	0.824	0.346	0.808	---	---	---		
	LE186	5.960	0.246	1.835	0.865	---	2.190	---	2.070	---	---	---		
	LE187	6.350	0.226	1.440	0.164	0.447	1.039	0.421	0.979	0.921	---	---		
2425EL	LE25	5.080	0.403	2.050	0.125	0.830	1.936	0.782	1.825	1.593	---	---		
	LE10	10.800	2.520	27.000	0.371	---	5.840	---	5.530	5.100	---	---		
	LE625	11.113	2.600	24.000	0.524	---	10.450	---	9.860	---	---	---		

Other material thicknesses and ASTM grades available upon request